

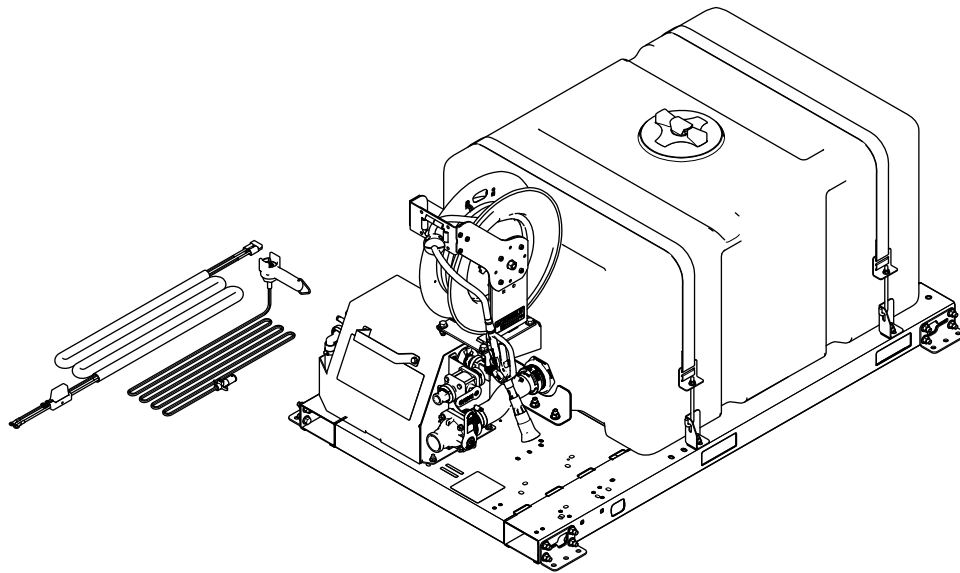


2010 The BOSS Way
Iron Mountain, MI 49801
United States

Owner's Manual

Genesis Series Sidewalk Slayer E

Part No. LIQ28811—Serial No. 40000000 and Up



BOSS Products limited consumer warranty and BOSS Products commercial warranty policies are located at www.bossplow.com.

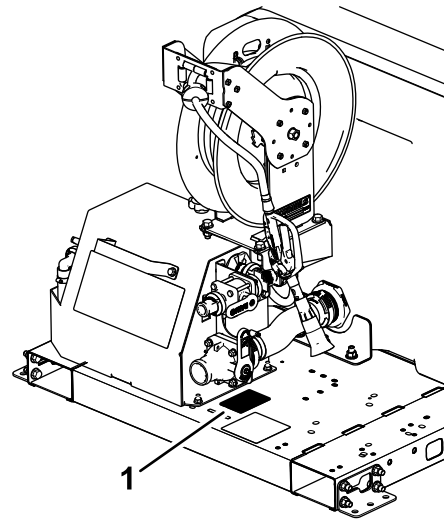
Patent www.ttcopats.com

⚠ WARNING

CALIFORNIA

Proposition 65 Warning

Use of this product may cause exposure to chemicals known to the State of California to cause cancer, birth defects, or other reproductive harm.



g501505

Figure 1

1. Model and serial number location

Model No. _____

Serial No. _____

Introduction

This machine is a dedicated ice-control spray system and is intended to be used by professional, hired operators. It is designed primarily for spraying ice-control solutions on residential or commercial properties. Using this product for purposes other than its intended use could prove dangerous to you and bystanders.

Read this information carefully to learn how to operate and maintain your product properly and to avoid injury and product damage. You are responsible for operating the product properly and safely.

Visit www.bossplow.com for more information, including safety tips, training materials, accessory information, help finding a dealer, or to register your product.

Whenever you need service, genuine BOSS parts, or additional information, contact an Authorized BOSS Dealer or BOSS Technical Service (1-800-286-4155) and have the model and serial numbers of your product ready. Figure 1 identifies the location of the model and serial numbers on the product. Write the numbers in the space provided.

Safety-Alert Symbol

The safety-alert symbol (Figure 2) shown in this manual and on the machine identifies important safety messages that you must follow to prevent accidents.



g000502

Figure 2

Safety-alert symbol

The safety-alert symbol appears above information that alerts you to unsafe actions or situations and is followed by the word **DANGER**, **WARNING**, or **CAUTION**.

DANGER indicates an imminently hazardous situation which, if not avoided, **will** result in death or serious injury.

WARNING indicates a potentially hazardous situation which, if not avoided, **could** result in death or serious injury.

CAUTION indicates a potentially hazardous situation which, if not avoided, **may** result in minor or moderate injury.

This manual uses two other words to highlight information. **Important** calls attention to special

mechanical information and **Note** emphasizes general information worthy of special attention.

Contents

Safety-Alert Symbol	2
Safety	3
General Safety	3
Safety and Instructional Decals	4
Setup	5
Mounting the Machine	5
Connecting the Machine to the Battery	5
Setting up the Controller	6
Product Overview	7
Controls	8
Specifications	8
Before Operation	9
Before Operation Safety	9
Understanding the Valve Positions	10
During Operation	11
During Operation Safety	11
Using the Spray Wand	11
After Operation	12
After Operation Safety	12
Maintenance	13
Maintenance Safety	13
Recommended Maintenance Schedule(s)	13
Lubrication	13
Lubricating the Machine	13
Sprayer System Maintenance	13
Inspecting the Tank Straps	13
Inspecting the Hoses	14
Pump Maintenance	14
Inspecting the Pumps	14
Cleaning	15
Washing the Machine	15
Rinsing the Tank	15
Draining the Pump	15
Conditioning the Sprayer System	15
Storage	15
Storage Safety	15
Preparing the Machine for Storage	15

Safety

General Safety

This product is capable of causing personal injury. Always follow all safety instructions to avoid serious personal injury.

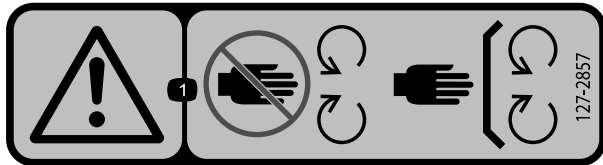
- Read and understand the contents of this *Owner's Manual* before operating or servicing the machine.
- Use your full attention while operating the machine. Do not engage in any activity that causes distractions; otherwise, injury or property damage may occur.
- Use appropriate personal protective equipment (PPE) to guard against contact with chemicals. Chemical substances used in the sprayer system may be hazardous and toxic.
- Do not put your hands or feet near moving components of the machine.
- Do not operate the machine without all guards and other safety protective devices in place and working on the machine.
- Keep clear of any discharge area of the sprayer nozzles and spray drift. Keep bystanders and children out of the operating area.
- Never allow children to operate the machine.
- Shut off the machine and disconnect the battery connector before adjusting, servicing, cleaning, or storing the machine.

Improperly using or maintaining this machine can result in injury. To reduce the potential for injury, comply with these safety instructions and always pay attention to the safety-alert symbol **▲**, which means Caution, Warning, or Danger—personal safety instruction. Failure to comply with these instructions may result in personal injury or death.

Safety and Instructional Decals



Safety decals and instructions are easily visible to the operator and are located near any area of potential danger. Replace any decal that is damaged or missing.



127-2857

decal127-2857

WARNING: Cancer and Reproductive Harm - www.P65Warnings.ca.gov.
For more information, please visit www.ttcocAProp65.com

133-8061

133-8061

decal133-8061

- Warning—keep away from moving parts; keep all guards and safeties in place.



143-7421

decal143-7421

- | | |
|--|---|
| 1. Warning—read the <i>Owner's Manual</i> . | 6. Warning—turn off the sprayer before leaving the machine. |
| 2. Warning—all operators should be trained before operating the machine. | 7. Warning—stay away from moving parts; keep all guards and shields in place. |
| 3. Warning—wear eye protection. | 8. Fire hazard—do not put flammable liquids in the tank. |
| 4. Warning—do not enter the tank. | 9. Tipping hazard—lift only an empty tank; do not lift the tank when full. |
| 5. Warning—shut off the machine, unplug the battery connector, and read the <i>Owner's Manual</i> before performing maintenance. | 10. Thrown object hazard—keep bystanders away. |

Setup

Mounting the Machine

1. Open the tailgate of the vehicle.
2. Using the forklift pockets (Figure 3), lift the machine onto the vehicle bed.

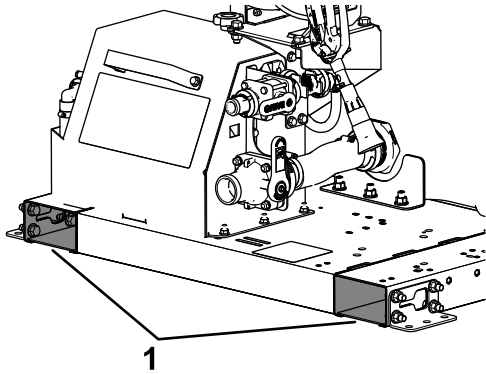


Figure 3

g501481

1. Forklift pockets

3. Secure the machine to the vehicle using straps or chains connected to the tie-down points (Figure 4).

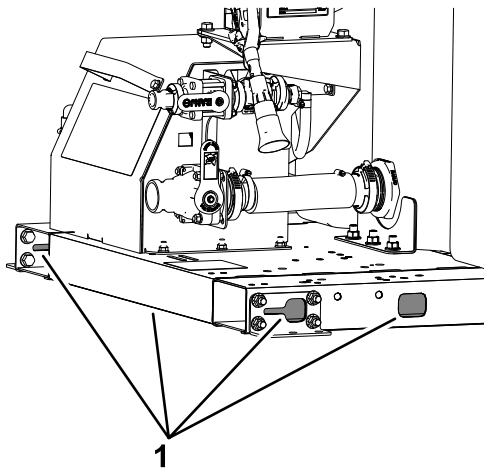


Figure 4

g501483

1. Tie-down points

Note: If your vehicle has a stainless or powder-coated bed, add rubber mats under the length of the skid to prevent the machine from sliding on smooth surfaces.

Connecting the Machine to the Battery

⚠ DANGER

Vehicle batteries can cause dangerous electrical shocks that could lead to severe burns or death.

Disconnect your battery before installing this kit. Remove the negative cable first, then remove the positive cable.

1. Insert the battery connector into the plug in the side of the pump housing.

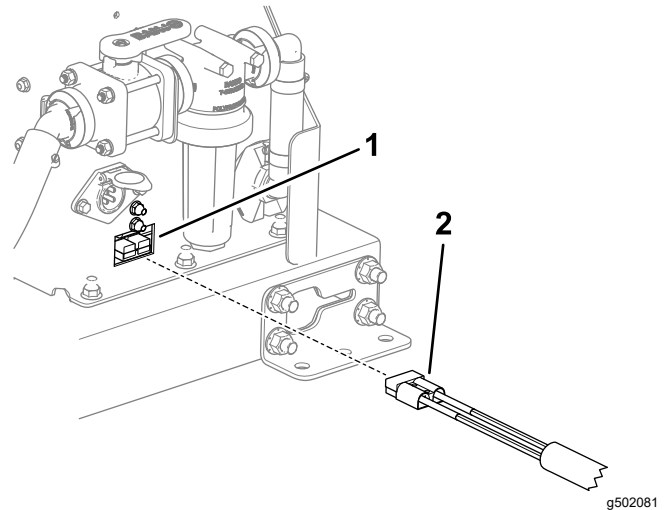


Figure 5

g502081

1. Pump housing plug
2. Battery connector

2. Route the other end of the connector to the rear of the machine, through the space in between the tailgate and the bumper, and along the vehicle frame to the engine compartment.
3. Mount the fuse box on the wire harness to the inside of the engine compartment using a bolt.
4. Connect the positive (red) ring terminal of the wire harness to the positive battery terminal of your vehicle (Figure 6). Secure the ring terminal.

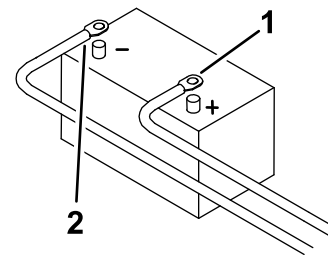


Figure 6

g502089

1. Positive (red) ring terminal
2. Negative (black) ring terminal

5. Connect the negative (black) ring terminal of the wire harness to the negative battery terminal of your vehicle (Figure 6). Secure the ring terminal.

Setting up the Controller

1. Insert the handheld controller into the plug in the side of the pump housing.

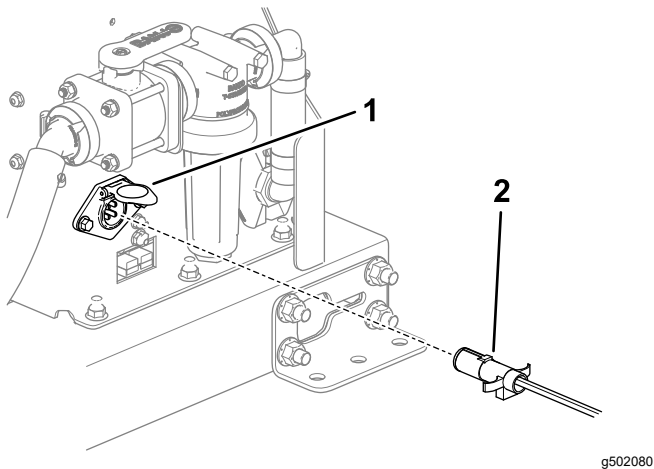


Figure 7

1. Plug
2. Handheld controller

-
2. Route the controller to your cab.

Product Overview

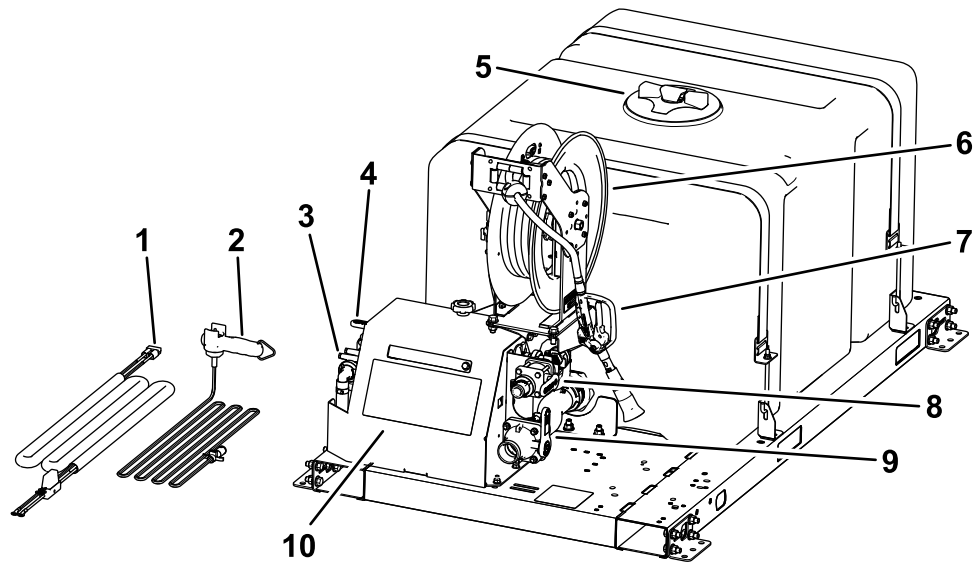


Figure 8

g501484

- | | | |
|------------------------|-------------------|------------------|
| 1. Battery connector | 5. Tank cover | 9. Fill valve |
| 2. Handheld controller | 6. Hose reel | 10. Pump housing |
| 3. Fluid filter | 7. Spray wand | |
| 4. Tank valve | 8. Pump-out valve | |

Controls

Handheld controller

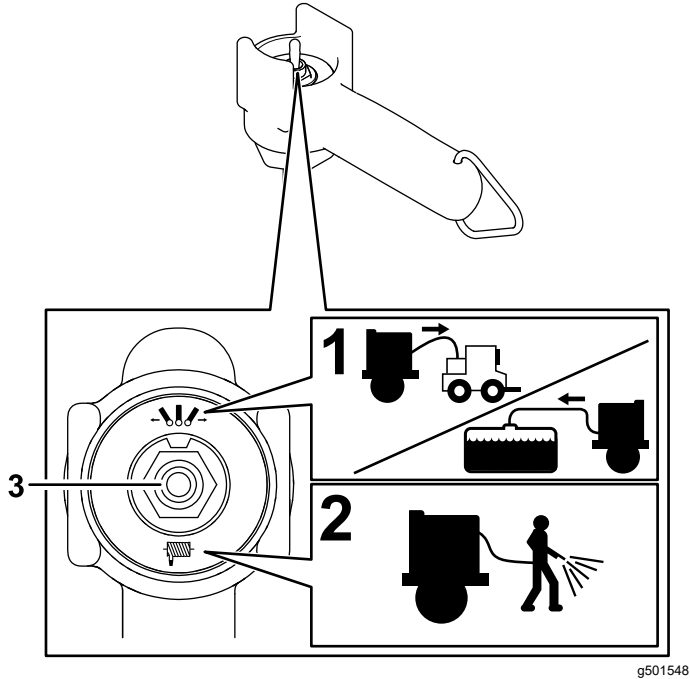


Figure 9

1. Pressure sent to the ports
2. Pressure sent to the hose reel
3. Pumps turned off

Use the handheld controller switch to turn on the pumps and send pressure to either the ports or to the hose reel.

Pump-Out Port

This is used to pump out the brine to your vehicle. Use the provided 25.4 mm (1 inch) hose and 50.8 (2 inch) camlock adapter.

Pump-Out Valve

Use this valve to pump the brine out of the tank and into the vehicle or a storage tank.

Filter

Each sprayer is equipped with a filter right before the inlet to the pump. Inside is a reusable stainless steel 30 mesh filter.

If you suspect that the filter is clogged:

1. Close the tank valve and loosen the collar around the filter housing.
2. Remove the outer housing and the filter.

3. Rinse the filter clean and install it in the housing.

Specifications

Note: Specifications and design are subject to change without notice.

Machine Specifications

Overall length	183 cm (72 inches)
Overall width	117 cm (46 inches)
Tank height	75 cm (29-9/16 inches)
Tank width	91 cm (36 inches)
Weight	228 kg (502 lbs)
Capacity	757 L (200 US gallons)

Operation

Note: Determine the left and right sides of the machine from the normal operating position.

Before Operation

Before Operation Safety

General Safety

- Never allow children or untrained people to operate or service the machine. Local regulations may restrict the age of the operator. The owner is responsible for training all operators and mechanics.
- Become familiar with the safe operation of the equipment, operator controls, and safety signs.
- Shut off the machine and disconnect the battery connector before adjusting, servicing, cleaning, or storing the machine.
- Check that safety switches and shields are attached and functioning properly. Do not operate the machine unless they are functioning properly.
- Before operating the machine, inspect it to ensure that the components and fasteners are in good working condition. Replace worn or damaged components and fasteners.
- Ensure that all fluid line connectors are tight and that all hoses are in good condition before applying pressure to the system.
- Ensure that the weight of the machine with a full sprayer tank does not exceed the gross vehicle weight rating (GVWR).
- Do not mount or remove the sprayer tank with liquid in it.
- Verify that there is an adequate supply of clean water and soap nearby, and immediately wash off any chemicals that contact you.
- Carefully read and follow the chemical warning labels and safety data sheets (SDSs) for all chemicals used, and protect yourself according to the chemical manufacturer's recommendations.
- Always protect your body while using chemicals. Use the appropriate personal protective equipment (PPE) to guard against contact with chemicals, such eye protection and/or face shield and chemical-resistant gloves.
- Obtain proper training before using or handling chemicals.
- Use the correct chemical for the job.
- Follow the chemical manufacturer's instructions for the safely applying the chemical. Do not exceed the recommended system application pressure.
- Do not fill, calibrate, or clean the machine while people, especially children, or pets are in the area.
- Do not clean spray nozzles by blowing through them or placing them in your mouth.
- Always wash your hands and other exposed areas as soon as possible after working with chemicals.
- Keep chemicals in their original packages and stored in a safe location.
- Chemicals and fumes are dangerous; never enter the tank or place your head over or in the opening of a tank.
- Properly dispose of unused chemicals and chemical containers as instructed by the chemical manufacturer and your local codes.
- Follow all local, state, and federal regulations for spreading or spraying chemicals.

Chemical Safety

Chemical substances used in the sprayer system may be hazardous and toxic to you, bystanders, and animals, and they may damage plants, soil, and other property.

- Read the information on each chemical. Refuse to operate or work on the sprayer if this information is not available.
- Before working on a sprayer system, ensure that it has been neutralized and triple rinsed according to the recommendations of the chemical manufacturer(s) and that all the valves have been cycled 3 times.

Understanding the Valve Positions

Proper valve positioning is vital to the sprayer working correctly for each given task.

Application Mode

Open the tank valve whenever you are applying liquid de-icer. [Figure 12](#) shows the valve in application mode.

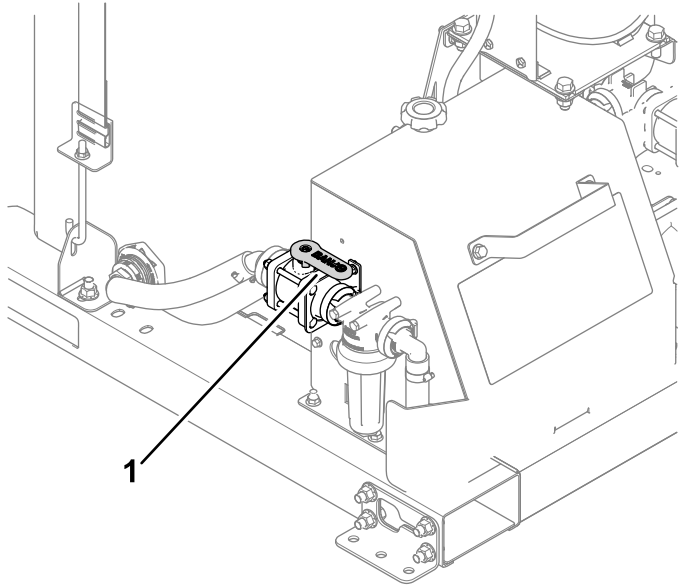


Figure 10

1. Tank valve open

Filling the Tank with Brine

You must connect the hose to the bottom camlock and open the valve as shown in [Figure 11](#) whenever you want to fill sprayer with brine from a holding tank.

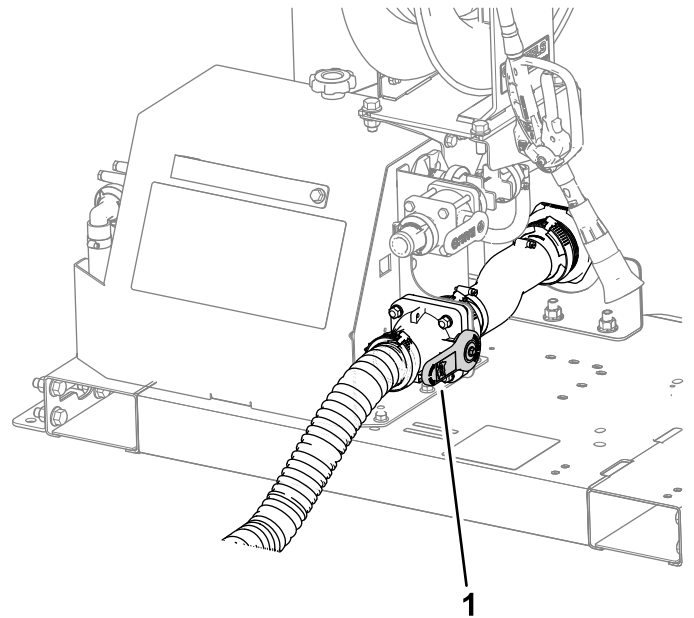


Figure 11
Filling the tank with brine

1. Fill valve open

Pumping out Brine

Set the valve in pump-out mode when you are filling an external tank with brine. Your tank must have liquid in the tank. The hose must be connected to the top camlock and the valve needs to be configured as shown in [Figure 12](#) when you are using the pumps to transfer liquid from the sprayer to another tank outside of the sprayer.

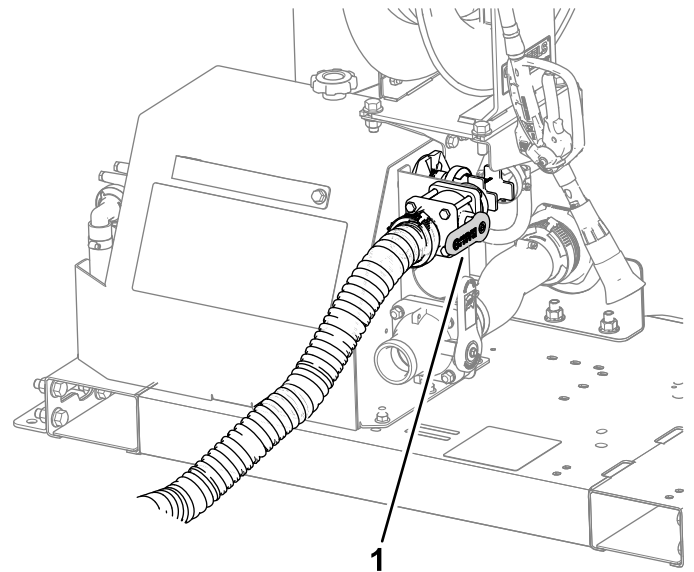


Figure 12
Pumping out brine

1. Pump-out valve open

During Operation

During Operation Safety

- The owner/operator can prevent and is responsible for accidents that may cause personal injury or property damage.
- Wear appropriate clothing, including eye protection; substantial, slip-resistant footwear; long pants, and hearing protection. Tie back long hair and do not wear loose clothing or loose jewelry.
- Wear appropriate personal protective equipment as directed in Chemical Safety.
- Use your full attention while operating the machine. Do not engage in any activity that causes distractions; otherwise, injury or property damage may occur.
- Do not operate the machine while ill, tired, or under the influence of alcohol or drugs.
- Operate the machine only in good visibility.
- Use care when approaching blind corners, shrubs, trees, or other objects that may obscure your vision.
- Before backing up, look rearward and ensure that no one is behind you. Back up slowly.
- Never spray while people, especially children, or pets are nearby.
- Do not operate the machine near drop-offs, ditches, or embankments. The machine could suddenly roll over if a wheel goes over the edge or if the edge gives way.
- Reduce the speed when operating on rough terrain, uneven ground, and near curbs, holes, and other sudden changes in terrain. Loads may shift, causing the machine to become unstable.
- Stop the truck, shut off the engine, remove the key, engage the parking brake, and inspect for damage after striking an object or if there is an abnormal vibration in the machine. Make all necessary repairs before resuming operation.
- Slow down and use caution when making turns and crossing roads and sidewalks with the machine. Always yield the right-of-way.
- Use extra caution when operating the machine in adverse weather conditions, at higher speeds, or with a full load. Stopping time and distance increase in these conditions.
- Shut off the machine and disconnect the battery connector before adjusting, servicing, cleaning, or storing the machine.
- Use accessories and attachments approved by BOSS only.

Using the Spray Wand

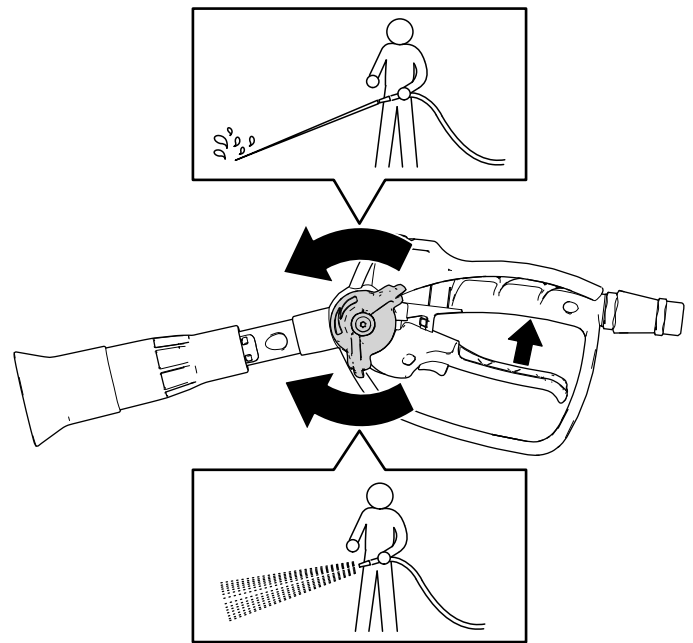


Figure 13

Spray wand application modes

g501590

1. Ensure that the handheld controller is connected to the sprayer and that hose mode is selected.
2. Pull the spray-wand hose towards you.
3. Select the spray wand application mode using the selector dial:
 - **Forward-jet stream: ice and hard-packed snow.**
 - **Backward-fan: post-treatment coating.**
4. Squeeze the trigger to start applying brine.
5. After you are done working, pull the hose slightly towards you and the hose reel will start retracting.

After Operation

After Operation Safety

- Shut off the machine and disconnect the battery connector before adjusting, servicing, cleaning, or storing the machine.
- Keep all parts of the machine in good working condition and all hardware tightened.
- Replace all worn, damaged, or missing decals.
- Do not mount or remove the sprayer tank with liquid in it.

Maintenance

Note: Determine the left and right sides of the machine from the normal operating position.

Maintenance Safety

- Shut off the machine and disconnect the battery connector before adjusting, servicing, cleaning, or storing the machine.
- Allow machine components to cool before performing maintenance.
- Allow only qualified and authorized personnel to maintain, repair, adjust, or inspect the machine.
- Before performing any maintenance, thoroughly clean and rinse the sprayer; refer to [Chemical Safety \(page 9\)](#).
- Chemicals used in the sprayer system may be hazardous and toxic to you, bystanders, animals, plants, soils, or other property.
 - Carefully read and follow the chemical warning labels and safety data sheets (SDSs) for all chemicals used, and protect yourself according to the chemical manufacturer's recommendations.
- Refuse to operate or work on the sprayer if chemical safety information is not available.
- Do not fill, calibrate, or clean the machine while people, especially children, or pets are in the area.
- Do not clean spray nozzles by blowing through them or placing them in your mouth.
- Always wash your hands and other exposed areas as soon as possible after working with chemicals.
- To ensure that the entire machine is in good condition, keep all hardware properly tightened.
- If the machine requires a major repair or you need technical help, contact an authorized BOSS dealer.
- Modifying this machine in any manner may affect machine operation, performance, durability, or its use, and result in injury or death.
- Carefully release pressure from components with stored energy.

Recommended Maintenance Schedule(s)

Maintenance Service Interval	Maintenance Procedure
After the first hour	<ul style="list-style-type: none">• Inspect the tank straps for proper attachment.
Before each use or daily	<ul style="list-style-type: none">• Inspect the tank straps for proper attachment.• Wash the machine after each use.
Every 200 hours	<ul style="list-style-type: none">• Inspect all hoses and connections for damage and proper attachment.
Before storage	<ul style="list-style-type: none">• Grease and cap all connection points.• Rinse the sprayer tank.• Drain the pump.• Condition the spray system.

Lubrication

Lubricating the Machine

Service Interval: Before storage

Use dialectic grease on all connection points and cap them.

Sprayer System Maintenance

Inspecting the Tank Straps

Service Interval: After the first hour
Before each use or daily

The machine is equipped with tank straps. It is important to frequently check the bands to ensure that the straps remain tight. If a band can move freely by hand it should be tightened using the side and top

adjustment bolts. Do not over tighten as tank damage may occur.

Pump Maintenance

Inspecting the Hoses

Service Interval: Every 200 hours—Inspect all hoses and connections for damage and proper attachment.

Examine each hose in the spray system for cracks, leaks, or other damage. At the same time, inspect the connections and fittings for similar damage. Replace any hoses and fittings if damaged.

Inspecting the Pumps

Have an authorized BOSS distributor check the pump seals for damage and replace if necessary.

Cleaning

Washing the Machine

Service Interval: Before each use or daily

Wash the machine after each use using water alone or with a mild detergent. You may use a rag when washing the machine.

Important: Do not use brackish or reclaimed water to clean the machine.

Note: Do not use power-washing equipment to wash the machine. Power-washing equipment may damage the electrical system, loosen important decals, or wash away necessary grease at friction points. Avoid excessive use of water near any electrical connectors.

Rinsing the Tank

Service Interval: Before storage

After the season is complete, rinse out the sprayer tank and run fresh water through the entire system to wash out any salt residue.

Draining the Pump

Service Interval: Before storage

Remove the quick-connect fittings to drain excess water from the pump.

Conditioning the Sprayer System

Service Interval: Before storage

After rinsing the tank, add RV antifreeze to the tank and run it through the entire system.

Open all valves to ensure that no water is present inside the ball valve.

Remove the filter housing to drain water.

Storage

Storage Safety

Shut off the machine and disconnect the battery connector before adjusting, servicing, cleaning, or storing the machine.

Preparing the Machine for Storage

1. Disconnect the negative terminal first and the positive last. Connect the positive terminal first and the negative last.
2. Wash the machine; refer to [Washing the Machine \(page 15\)](#).
3. Rinse the sprayer tank and sprayer components; refer to [Rinsing the Tank \(page 15\)](#).
4. Drain the sprayer tank as completely as possible.
5. Condition the sprayer tank; [Conditioning the Sprayer System \(page 15\)](#).
6. Grease and cap all connection points; refer to [Lubricating the Machine \(page 13\)](#).
7. Drain the pump; refer to [Draining the Pump \(page 15\)](#).

BOSS
S N O W P L O W