

Installation Instructions

BOSS Products limited consumer warranty and BOSS Products commercial warranty policies are located at www.BOSSPlow.com.

Patent www.ttcopats.com.

Installation

Note: Determine the left and right sides of the machine from the normal operating position.

Preparing the Machine

1. Park the machine on a level surface.
2. Shut off the machine.
3. Wait for all moving parts to stop.
4. Engage the parking brake.
5. Remove the key.
6. Allow machine components to cool.

Assembling the Boom Kit

1. Connect the center nozzle holder onto the shroud assembly with 2 hex bolts (3/8 x 1-1/4 inches) and 2 locknuts (3/8 inch)

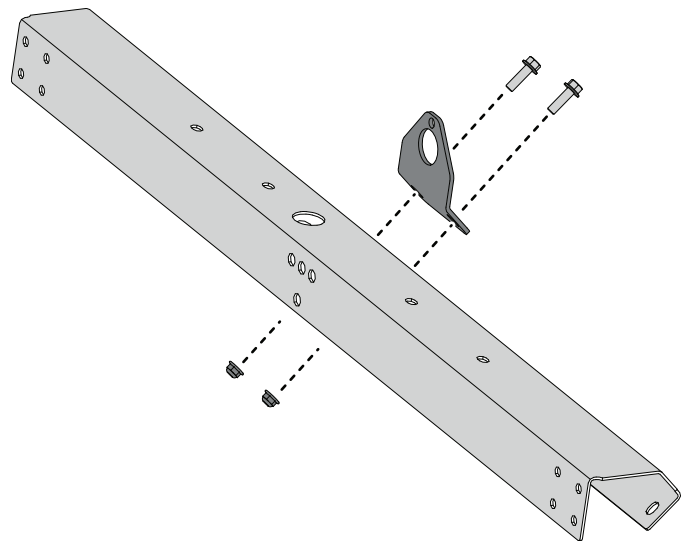


Figure 1

2. Install each handle onto the shroud assembly with 2 hex bolts (3/8 x 1 inch) and 2 locknuts (3/8 inch).

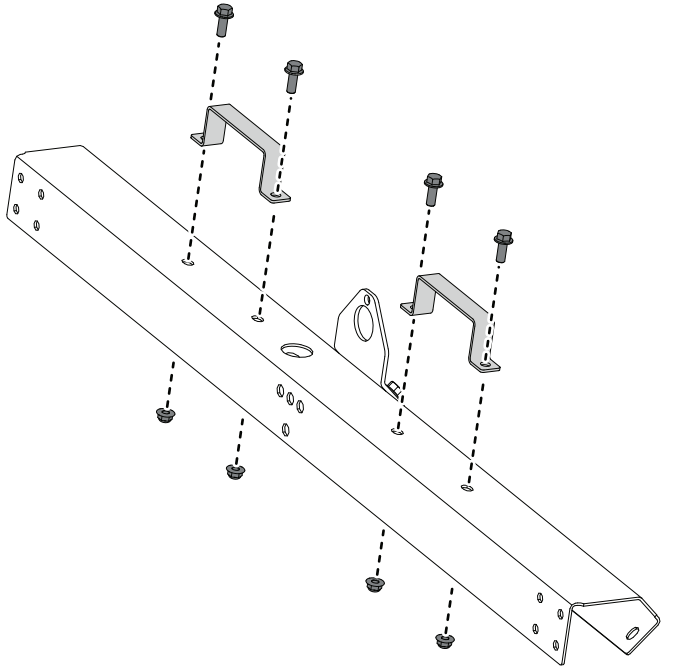


Figure 2

3. Attach the boom height bracket onto the shroud with 3 bolts (1/2 x 1-1/4 inches) and 3 locknuts (1/2 inch).

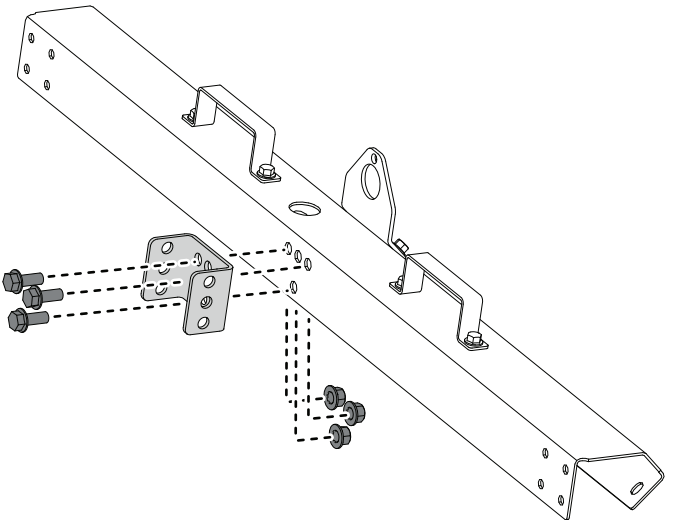


Figure 3

4. Loosely install the right shroud end onto the boom shroud with 5 hex bolts (3/8 x 1 inch) and 5 locknuts (3/8 inch).

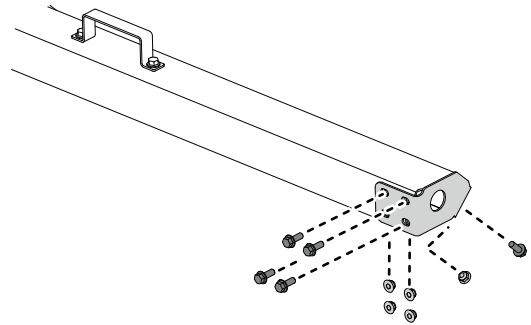


Figure 4

5. Flip the shroud upside down and slide the right side of the boom pipe through the right shroud end.
6. Loosely install the left shroud end onto the boom shroud with 5 hex bolts (3/8 x 1 inch) and 5 locknuts (3/8 inch).
7. Use thread tape to securely install the pipe caps onto the ends of the boom pipe.

Note: Use caution when tightening the pipe caps. The caps may crack if you overtighten them.

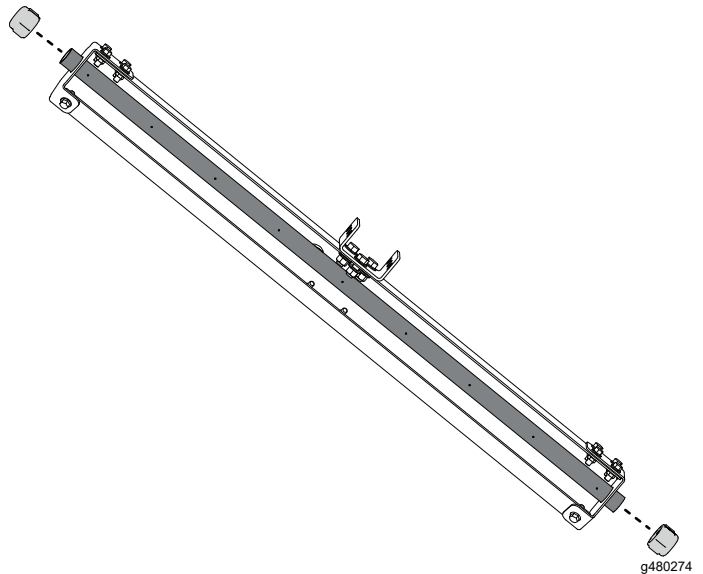


Figure 5

8. Securely tighten all fasteners on the left and right shroud ends.

9. Use thread tape to securely install the 1-inch straight pipe fitting onto the boom pipe.

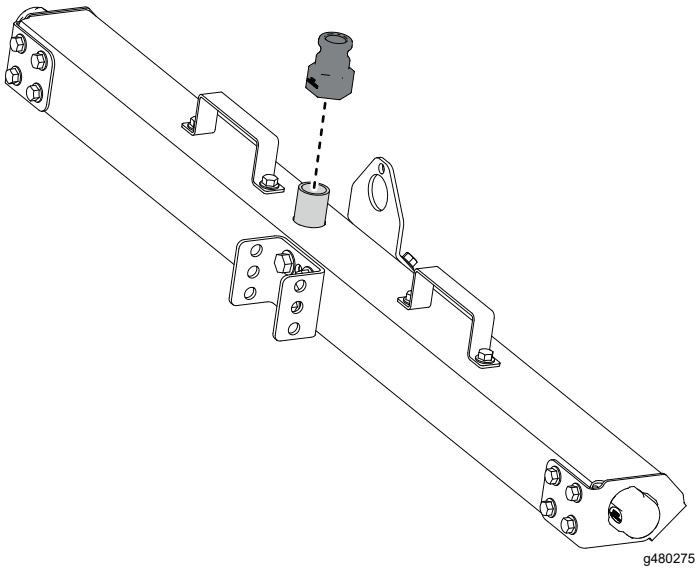


Figure 6

10. Install the fan nozzle to the center bracket using 1 bolt (3/8 x 1-1/4 inches) and 1 locknut (3/8 inch).

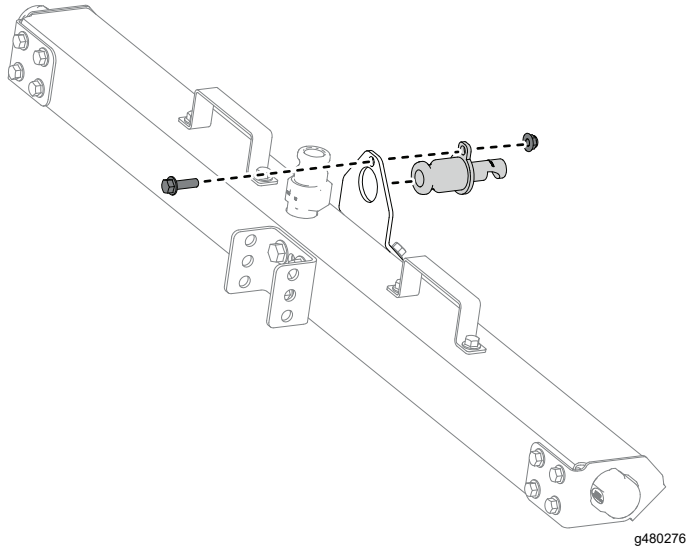


Figure 7

Installing the Boom Kit

Note: You can mount the tow hitch in 8 different positions. If your vehicle sits higher, install the tow hitch lower. If your vehicle sits lower, install the tow hitch higher.

1. Connect the tow hitch to the boom height bracket with 2 bolts (1/2 x 1-1/4 inches) and 2 locknuts (1/2 inch).

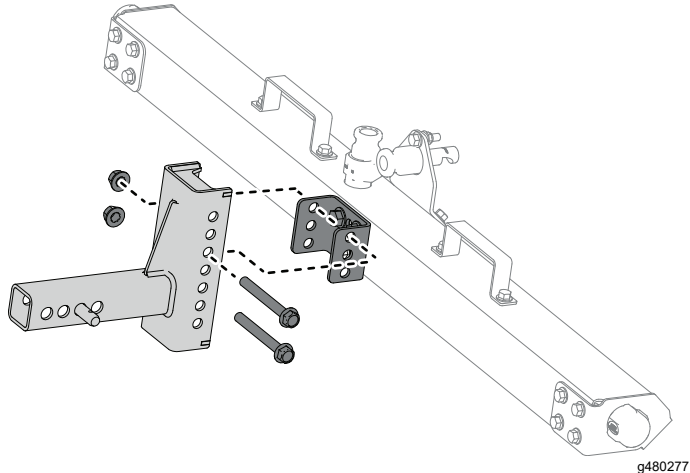


Figure 8

2. Install the hose assembly to the straight pipe fitting and the machine.

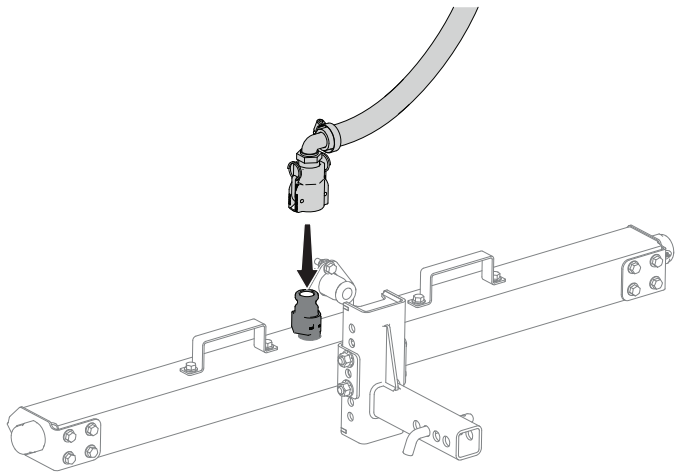


Figure 9

3. When the machine is installed on the vehicle, ensure that the distance between the bottom of the boom shroud to the ground is 51 to 71 cm (20 to 28 inches). Adjust if necessary.